

TECHNICAL SPECIFICATION

HUSHMEET
HUS-BX-008



ELECTRIFICATION

- 1 LED ceiling light.
- 2 Power module (1 x power 230V, 2 x USB A, 2 x RJ45).
- 3 Motion sensor activated lighting and airflow.

VENTILATION SYSTEM

- 4 Air ventilation (motion sensor activated):
 - fans – 6,
 - maximum performance of the single fan – $58 \text{ m}^3/\text{h}^*$,
 - total time of air change inside – 167 seconds**.

EXTERIOR

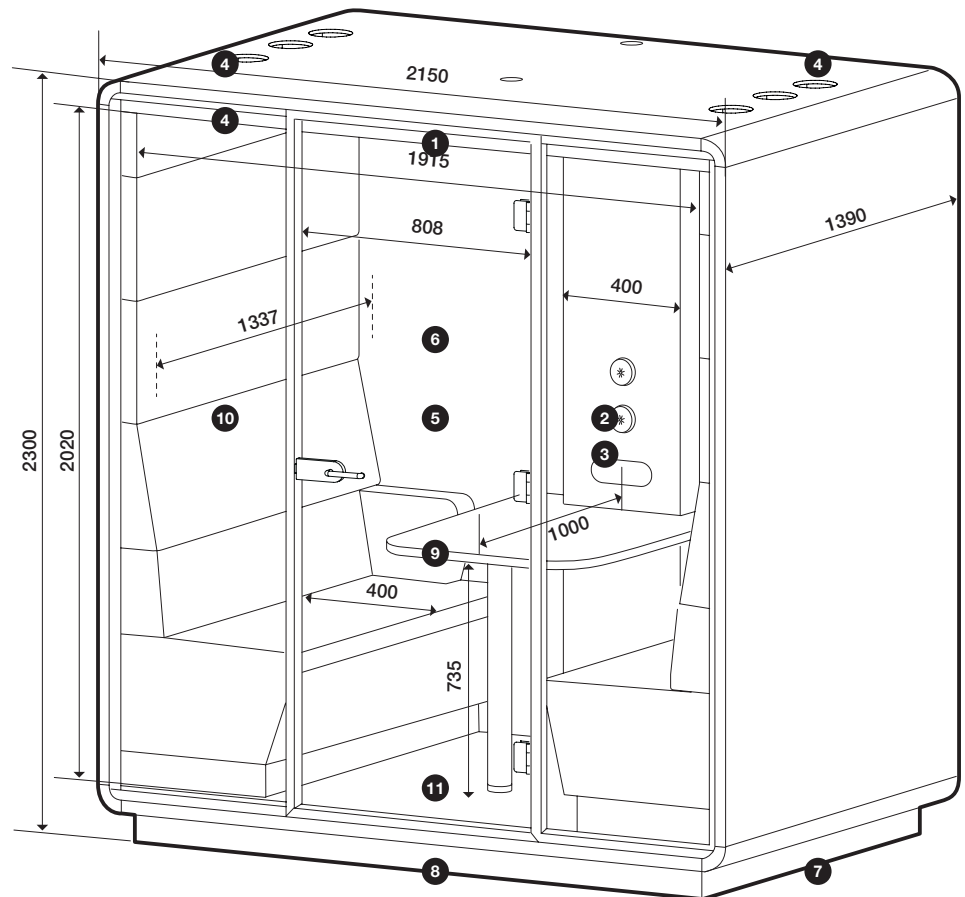
- 5 Acoustic laminated glass door 2067 x 824 mm with anodized aluminum latch handle.
Acoustic laminated front side glass panels – 2079 x 553 mm.
- 6 Acoustic laminated rear side glass panels – clear or frosted – 2079 x 789 mm.
- 7 3600 mm cable with 230V grounded plug.
- 8 Removable base cover provides space for pallet jack access.

INTERIOR

- 9 Tabletop made of 3-layer melamine chipboard 1000 x 770 mm, 25 mm thickness.
- 10 Replaceable acoustic fabric tiles.
- 11 Integral carpeted floor.

*Calculation based on the measured efficiency of one fan, taking into account losses in the ventilation system.

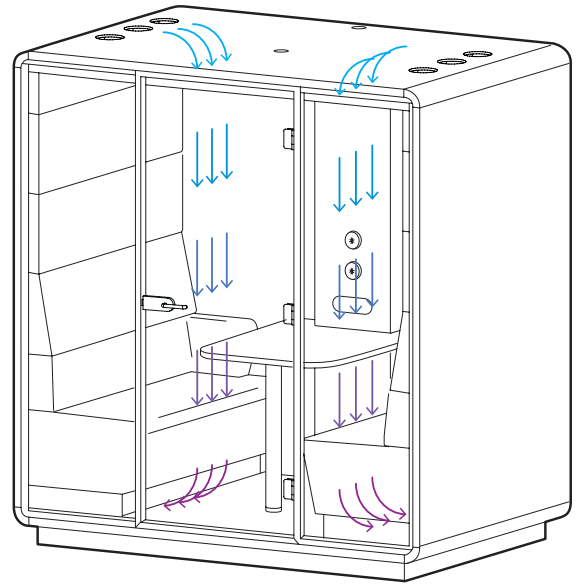
** Calculation based on the volume and capacity of one fan.





hushoffice

HUSHMEET HUS-BX-008



ELECTRICAL SPECIFICATION

POWER MODULE: 1 x Power Socket 230V, 2 x USB A, 2 x RJ45.
MAXIMUM POWER CONSUMPTION OF THE PRODUCT: 49,5 W.
CABLE: Length of the cable – 3600 mm. Power cable access from ceiling or base.
LIGHTING POWER: 19,2 W/1940 lm.
COLOR OF LIGHT: 3000K with adjustable intensity.

MATERIAL SPECIFICATION

EXTERIOR MATERIAL	3 layer honeycomb board, 38 mm thickness, both sides melamine covered, finished with zero-joint edge laser technology		
FRONT AND BACK GLASS PANEL	acoustic, laminated safety glass (RW = 35 dB), also include the thickness 2 x 5 mm glass, acoustic sheet glass, safety manifestation on front		
TABLETOP	tabletop made of 3-layer melamine chipboard, covered with white laminate		
INTERIOR PANELS	high-density LDF (HDF) 3 mm thickness, covered with non-flammable polyurethane foam, upholstered		
UPHOLSTERY	HAITI <ul style="list-style-type: none"> weight: 220 g/m² composition: 100%PL, abrasion resistance: 100.000 martindale cycles (EN ISO 12947-2) fastness to rubbing: 5 	PETRUS <ul style="list-style-type: none"> weight: 389 g/m² skład: 100%PL abrasion resistance: 80.000 martindale cycles (EN ISO 12947-2) light fastness: 3-4 (EN ISO 105B02) flammability: cigarette and match 	WOOL <ul style="list-style-type: none"> weight: 325 g/m² skład: 70%WO, 20%PL, 5%PA, 5%AF abrasion resistance: 100.000 martindale cycles (EN ISO 12947-2) fastness to rubbing: wet 4/5; dry 4/5 (ISO 105-X12) light fastness: 5 (EN ISO 105B02) flammability: cigarette and match (BS-EN 1021-1, 2) (BS 5852-0, 1), CAL 117 (class 1), ASTM 84 (class 1)
FLAME RETARDANT FOAM	<ul style="list-style-type: none"> flexible polyurethane composition technology without using any fluorocarbons (freons), nor with volatile organic solvents (eg. methylene chloride) 		
DOOR HANDLE AND HINGES	anodized aluminum or aluminum painted in dark gray		
CARPET	for commercial intensive use (designed for Hotel room, Hotel suite, Boutique, Shop, Restaurant, Conference room, High traffic office, Reception, Stairs)		

ACOUSTIC RATING

100 Hz to 3150 Hz sound insulation spectrum for the HushMeet BX-008 with a reference curve to determine the sound reduction index (Rw) = 32 dB

SEISMIC ANCHORAGE

All hush products come with Seismic Anchoring capability as standard. Hush products are certified and have been tested in accordance with IBC, ASCE 7-16, ACI 318-14, AISC 360-10. Instructions on how to anchor are available on request.

CERTIFICATION



SUSTAINABILITY

Hush booths are manufactured in a ISO 9001 and 14001 certified production facility in Poland by Mikomax Smart Office. They are compliant with the ISO 14001 Environmental Management System Standard. Hush is packed and delivered in light cardboard boxes which are recycle-friendly.